



SAFETY BEAM (HOTRON)

HTP-21C



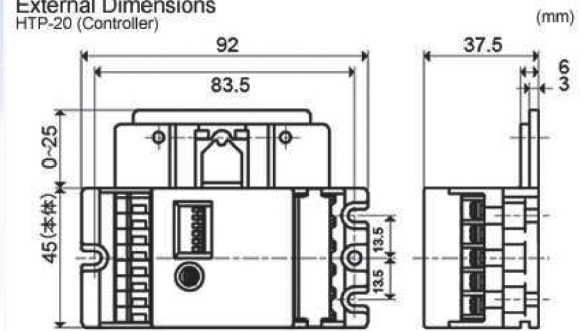
SPECIFICATIONS

- Model : HTP-21C
- Max Detection Distance : Penetration Set-up : 7m
- Power Supply : 12-24V AC/DC
- Power Consumption : 12V AC-1.5VA, 12V DC-70Ma
- Output : Relay Contact 1c 50V DC 0.1A (Resistor load)
- Response Time : 0.1 sec.
- OFF Timer : Penetration Set-up : 0.2 sec., 0.5 sec.
- LED Indicator : Penetration Set-up
- Ambient Temperature : -20°C to +55°C
- Composition Controller : 1 unit
- Accessories Controller Fixing Screw : 2 pcs.
- Weight : 90g (Controller)

Active Infrared Technology

- Beam sensor consisting of a controller and a single or dual set of infrared beams.
- No need to use tools for wiring connection with compact controller.
- Available to select penetration set-up or direct reflection set-up by setting switch.
- Blink (under penetration setting), ON or OFF of LED tells you about the most suitable setting of volume adjustment by microcomputer control.

External Dimensions
HTP-20 (Controller)



External Dimensions
P-09F (Sensor)

