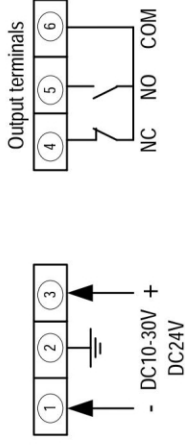
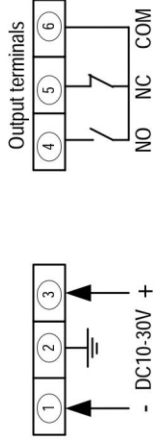


DC Power Unit Type 1

PWS-DC10-30V	DC10-30V, 3W
PWS-24	DC24V±20%, 3W

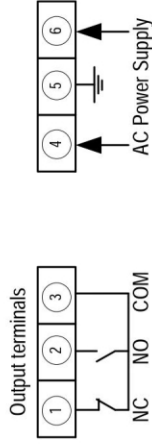


DC Power Unit Type 2 (2&1)



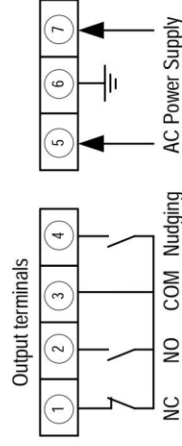
AC Power Unit Type 1

PWS-220	AC220V±15%, 50/60Hz, 3W
PWS-110	AC110V±15%, 50/60Hz, 3W



AC Power Unit Type 2

PWS-220	AC220V±15%, 50/60Hz, 3W
PWS-110	AC110V±15%, 50/60Hz, 3W

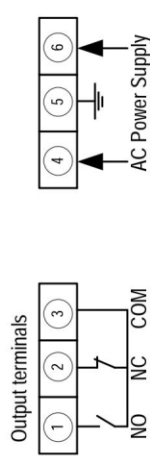


Buzzer Functions for AC power unit (Type 2)

SW1	Buzzer functions	ON	Buzzer ON	OFF	Buzzer OFF
SW2	Buzzer delay	ON	Delay 20s	OFF	Delay 30s
SW3	Buzzer Active	ON	Infinite	OFF	60s
SW4	Buzzer setting	ON	Intermittent	OFF	Constant

AC Power Unit Type 3 (2&1)

PWS-220	AC220V±15%, 50/60Hz, 3W
PWS-110	AC110V±15%, 50/60Hz, 3W



Packing List

	Items	Quantity	Items	Quantity
1	Power Unit	1 pieces	Receiver	1 piece
2	Cable (3.5m)	2 cables	Operation Manual	1 copy
3	Transmitter	1 piece	Mounting Accessories	1 set

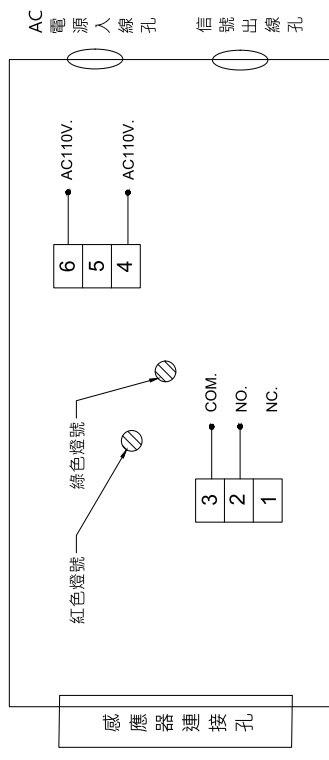
Please check if anything missed from packing list

Contents may differ according to customers' special requirements



安全光幕說明書

安全光幕電源盒接線圖



1. 開門訊號接點接 2、3 點位，當觸發光幕感應器時，會發送開門訊號使門扇開啟。
2. AC110V 電源接點為 4、6 點位，切勿使用其他電壓之電源，以免電源盒損壞。



Attention

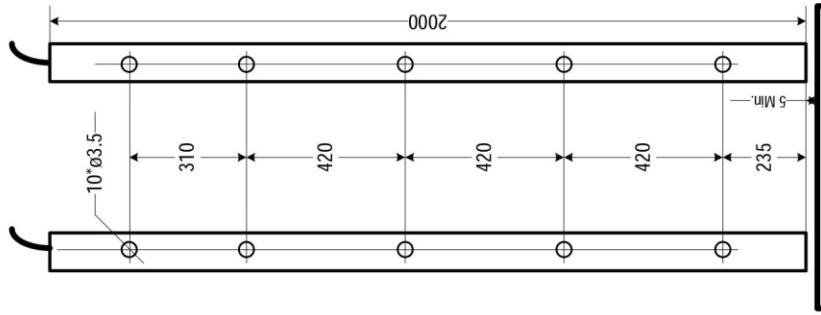
Please read this manual carefully before installation and keep it for future reference



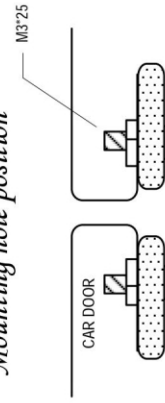
Manufactured under ISO 9001

Installation

For Normal



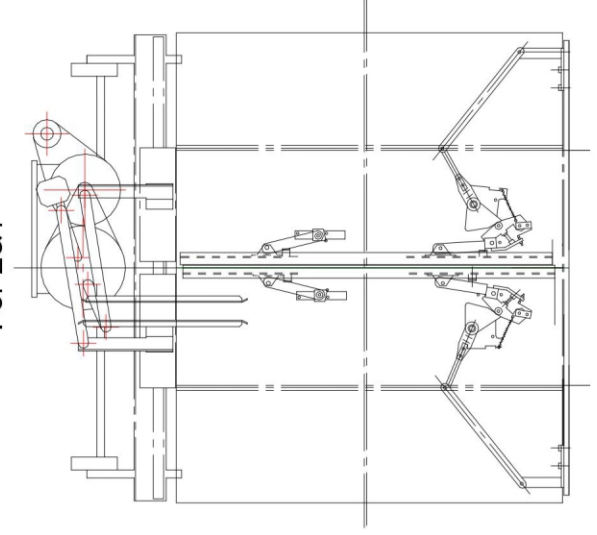
Mounting hole position



Mounting position

- 1) Securely fix the transmitter and receiver to the car/car doors through the fixing holes with the bolts provided
- 2) Ensure both the receiver and transmitter at the same level
- 3) Fix the power controller on the car top. Ensure the steel cover is grounded
- 4) Power supply connected to INPUT terminal through the right hand hole. Output signals connected to OUTPUT terminals
- 5) Connect cables from receiver and transmitter to power unit. Ensure both cables can be easily and smoothly bent. Lock tightly both sides of the intermediate connectors
- 6) Switch on the power. Green LED in the receiver is lit. Red LED in the receiver is lit when light beams are interrupted

For 2&1



Trouble shooting

- 1) No LED in the receiver is lit
Cable is broken or not connected
- 2) Both Green & Red LED are lit without interruption between RX & TX
Plastic filter is too dirty
Other infrared equipment nearby
Light is stronger than allowed Ambient System fault
- 3) LEDs are lit correctly when interrupted, but car door doesn't open
Wrong connection with NC/NO contacts
Output relay is broken
Check the wire
- 4) Green LED in power unit is not lit
Power supply wires broken or not connected
Wrong connection
Terminal connection is too loose
Power unit is broken, needs to change

Note

Keep connection cables away from high voltage and/or high current wires
Keep connection cables away from door motor and door drive

Avoid sunlight go directly into the receiver RX.

Avoid other Infrared light sources go into the receiver RX

Clean the front surface with a soft towel. It could be dry or slightly moist, but not wet.

Do not scratch the front surface to damage the infrared light lens
Do not bend or twist the edges.