

# Automatic Door Systems



**TH-3**

Single-winged / Bi-parting

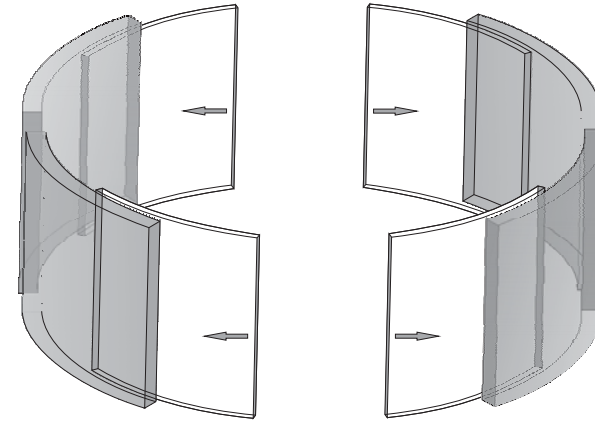
<http://www.kthtw.com>  
e-mail: [kth@kthtw.com](mailto:kth@kthtw.com)

**OPERATION INSTRUCTION**



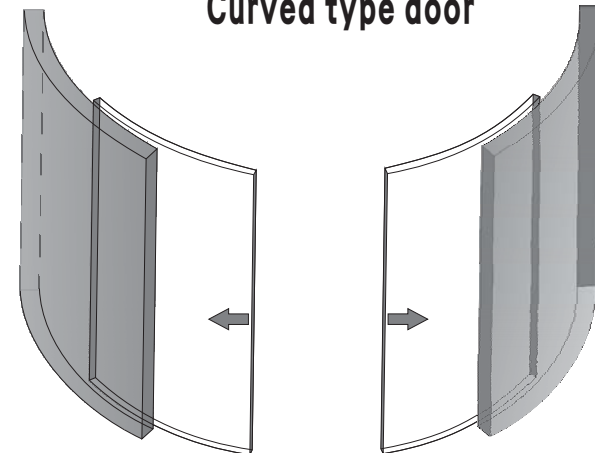
Our company has the following series of automatic door, please contact with our distributors/representations.

### Round type door



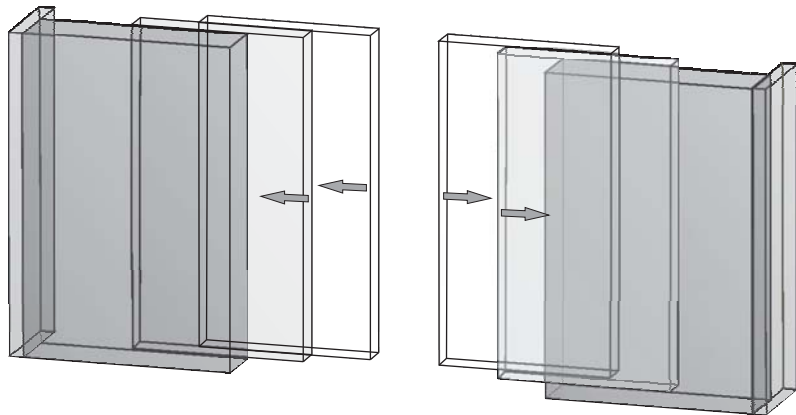
Installation: Please in accordance with the instruction of Round Type Door.

### Curved type door



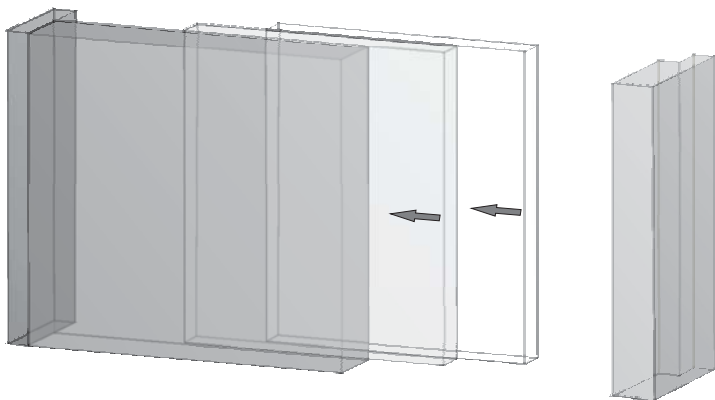
Installation: Please in accordance with the instruction of Curved Type Door.

Telescopic 4-winged Sliding Doors.



Installation: Please in accordance with the instruction of Telescopic 4-winged Sliding Doors.

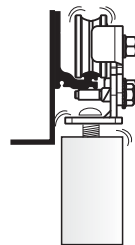
Telescopic 2-winged Sliding Doors.



Installation: Please in accordance with the instruction of Telescopic 2-winged Sliding Doors.

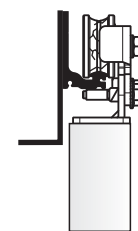
The Door-Leaf sends out abnormal noise in operating.

**Cause 1**  
The SCREW of the  
HANGING TWIN-WHEEL is loose.



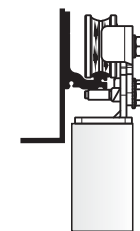
**How to solve:**  
Refasten the SCREW of  
HANGING TWIN-WHEEL.

**Cause 2**  
HANGING TWIN-WHEEL  
is broken.



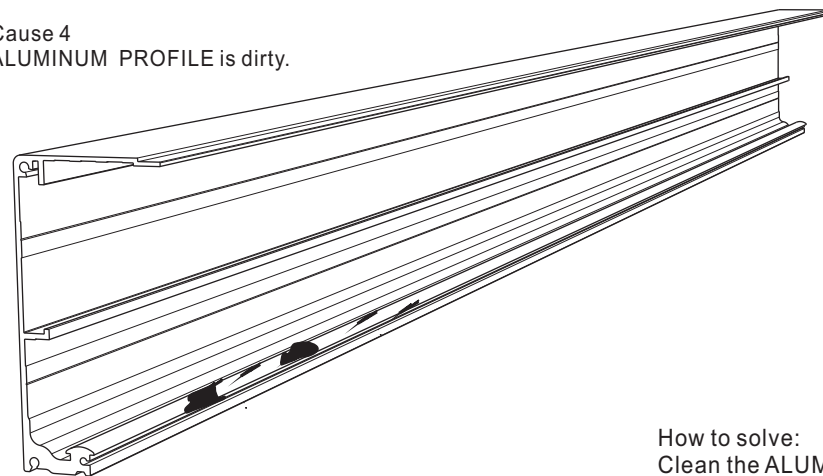
**How to solve:**  
Replace a new one  
HANGING TWIN-WHEEL.

**Cause 3**  
HANGING TWIN-WHEEL  
is dirty.



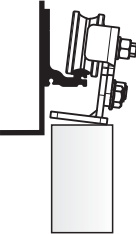

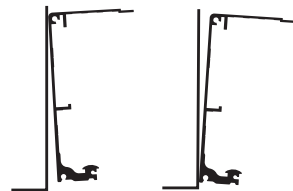
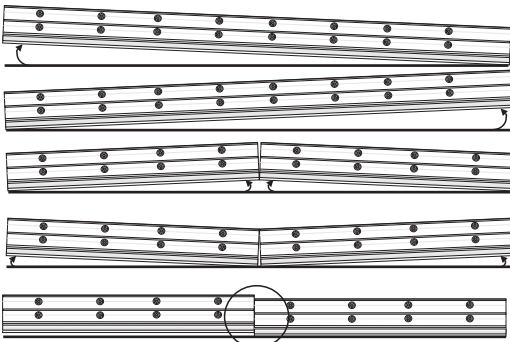
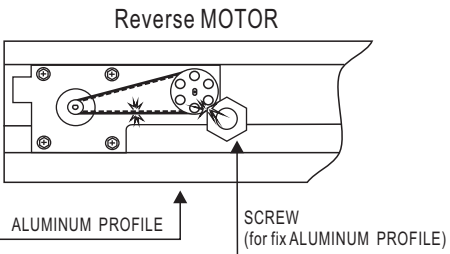
**How to solve:**  
Clean the  
HANGING TWIN-WHEEL.

**Cause 4**  
ALUMINUM PROFILE is dirty.



**How to solve:**  
Clean the ALUMINUM PROFILE.

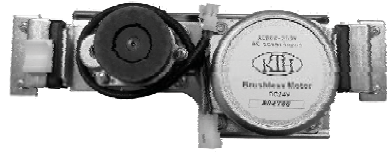
Door-Leaf is not smooth in operating.

<p><b>Cause 1</b> HANGING TWIN-WHEEL is not at vertical position.</p>  <p>How to solve: Readjust the HANGING TWIN-WHEEL.</p>	<p><b>Cause 2</b> 1. Door touches Ground Rail. 2. Ground Rail is dirty.</p>  <p>How to solve: 1. Readjust the distance between Door and Ground Rail. 2. Clean up the Ground Rail.</p>	<p><b>Cause 3</b> ALUMINUM PROFILE is not vertical</p>  <p>How to solve: Readjust the vertical position of the ALUMINUM PROFILE.</p>
<p><b>Cause 4</b> ALUMINUM PROFILE is not at horizontal position.</p>  <p>How to solve: Readjust the level position of the ALUMINUM PROFILE.</p>	<p><b>Cause 5</b> SCREW of ALUMINUM PROFILE.</p>  <p>How to solve: Unload the MOTOR, readjust the POSITION of SCREW.</p>	

1. COMPONENTS SPECIFICATION ..... P1
2. TECHNICAL SPECIFICATION ..... P2
3. SECTIONAL DRAWING ..... P3
4. INSTALLATION DRAWING ..... P4
5. INSTALL PROCEDURE ..... P5
6. INSTALL THE BELT ROLLER ..... P6
7. THE POSITION OF THE HANGING TWIN-WHEEL ..... P7
8. INSTALL THE RACK BELT ..... P8
9. ADJUST THE DOOR-LEAF ..... P9
10. CONNECTION (MOTOR) ..... P10
11. CONNECTION ..... P11
12. TEST AND ADJUST ..... P13
13. ADJUSTMENT ..... P14
14. BROKEN CHECKING ..... P16
15. TROUBLESHOOTING ..... P17
16. TROUBLESHOOTING(ILLUSTRATED) ..... P18



MICRO-CONTROLLER



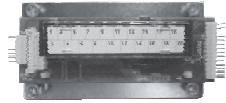
BRUSHLESS DC MOTOR



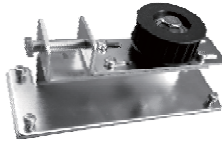
RACK BELT



SENSORS (OPTIONAL DEVICE)



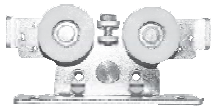
COMBINED TERMINAL BLOCK (OPTIONAL DEVICE)



BELT ROLLER



(BI-PARTING)HANGERS & IRON PARTS



HANGING TWIN-WHEEL 4 PCS



BELT BRACE



PASSIVE BRACE with BELT FIXER



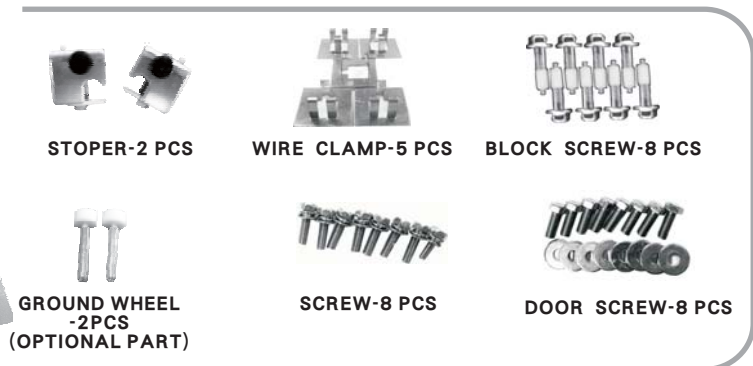
ACTIVE BRACE with BELT FIXER



HANGING BRACE-4 PCS



IRON PARTS SACK



STOPER-2 PCS

WIRE CLAMP-5 PCS

BLOCK SCREW-8 PCS

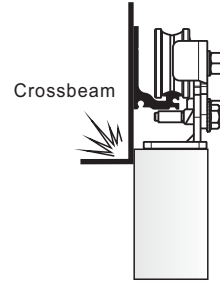
GROUND WHEEL -2PCS (OPTIONAL PART)

SCREW-8 PCS

DOOR SCREW-8 PCS

Door cant be opened or closed.

**Cause 1**  
Above the Door-Leaf touched with the crossbeam.



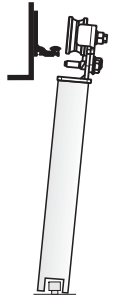
How to solve:  
Adjustment the interval between the Door-Leaf height and Crossbeam.

**Cause 2**  
The Door-Leaf touched with the Ground Guide Rail.



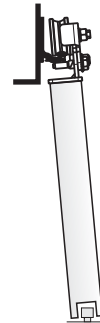
How to solve:  
Adjust the Door-Leaf height.

**Cause 3**  
Door-Leaf details the ALUMINUM PROFILE.



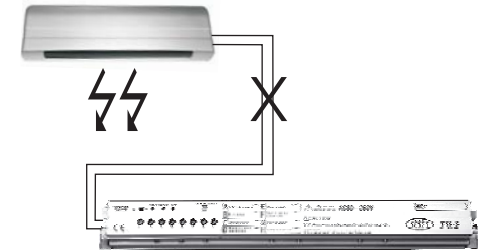
How to solve:  
Put the Door-Leaf into the ALUMINUM PROFILE again.

**Cause 4**  
Door-leaf does not horizontal.



How to solve:  
Adjust the Ground Guide Rail/Wheel position.

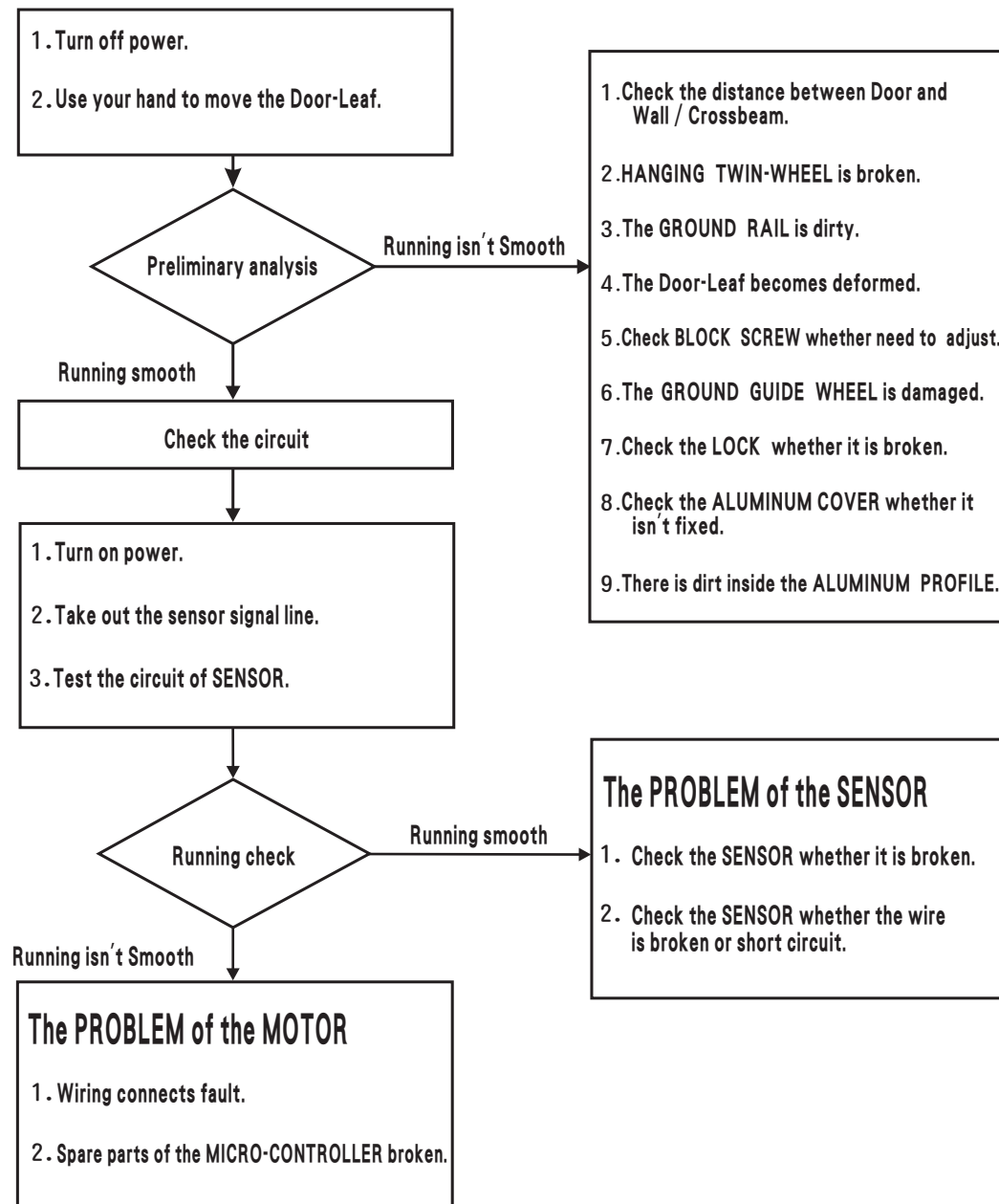
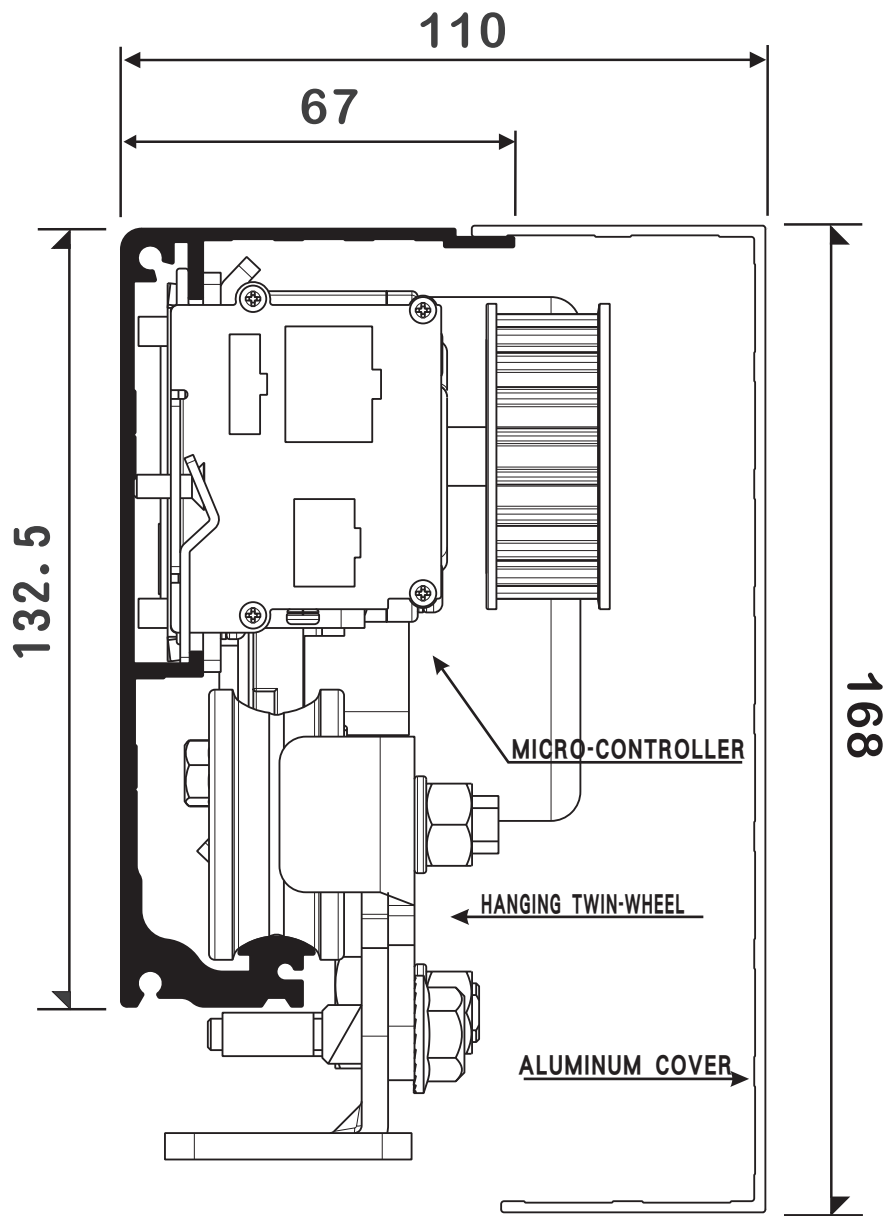
**Cause 5**  
SENSOR is broken or disconnects to the MICRO-CONTROLLER.



How to solve:  
1.If SENSOR is broken please change a new one.  
2.Check SENSOR whether it connects to the MICRO-CONTROLLER.

PROBLEMS	REASONABLE	CHECK	HOW TO SOLVE
DOOR CAN'T BE MOVED.	1.No power.	Broken circuit.	Check the broken circuit position.
		The Power Switch is not opened.	Open the POWER SWITCH.
	2.The door is locked.	Door is locked and no movement action.	Open the DOOR LOCK.
		3.The sensor is broken.	Signal light is WORKING.
Signal light is OUT OF WORKING.	Check the CIRCUIT OF SENSOR or change a new one SENSOR.		
SPEED	1.Speed is too slow.	Check the Speed at KNOB of MICRO-CONTROLLER.	Adjust the Speed of Open/Closed Door.
	2.Door runs into the obstructor, then cause the Door moving slow.	Installation problem or dirty.	Reinstall or clean the ALUMINUM PROFILE.
		3.Door is difficult to move.	Turn off the power.Use hand to move the Door, besides, check the Ground Guide Rail whether it is dirty.
	Check the HANGING TWIN-WHEEL whether it is broken.		Change a new one.
	Check the Door Bolt in the door bottom whether it is loosen.		Fix the Door Bolt.
	Check whether the Ground Wheel is broken.		Change a new Ground wheel.
DOOR CAN'T FULL OPEN.	In the Half-Open way.	Check the Knob/Switch.	Turn on to Full Open.
DOOR CAN'T CLOSE.	1.In the Full-Open way.	The SENSOR keeps working.	Check wiring or change a new SENSOR.
	2.The Door opens suddenly while it is moving to close.	The SENSOR probably is installed with something wrong.	Adjust the SENSOR or change a new one.

TYPE	TH-3	
MODEL	SINGLE-WINGED	BI-PARTING
DOOR WEIGHT	150kg X1 (door)	130kg X2 (door)
DOOR WIDTH	DW=500mm~2500mm	DW=500mm~2500mm
INSTALL WAY	Surface install	Surface install
MOTOR	DC24V 75W BRUSHLESS DC MOTOR	
CONTROL	STANDARD MICRO-CONTROLLER	
POWER CONSUMPTION	75W	
VOLTAGE	AC100V~240V	
ENVIRONMENTAL TEMPERATURE	-20℃~+50℃	
VOLUME	60decibel(max.)	
STARTING SPEED	600mm(second)	550mm X 2(second)
STARTING TIMES	0~20 sec. (regulable)	
TRANSMISSION IMPORTANT CONDITION	RACK BELT S8M	
OPENING DOOR RANGE	FULL/HALF-OPEN (regulable)	
PFC POWER EFFICIENCY	0.95(in AC100V Full load)	
TRACTION FORCE	3 kg	







## E The closing speed of the door

Adjust the **CLOSED SPEED**  
Higher number, faster speed.

**CAUTION:** please adjust the number one by one from low to high.



## F The slowing range of closing door

Adjust the **SLOW RANGE** of CLOSED DOOR

Higher number, more range about the slow range at open door position.

**CAUTION:** please adjust the number one by one from high to low.



## G The slowing speed of the door

Adjust the **SLOW SPEED**  
Higher number, faster speed.

**CAUTION:** please adjust the number one by one from low to high.

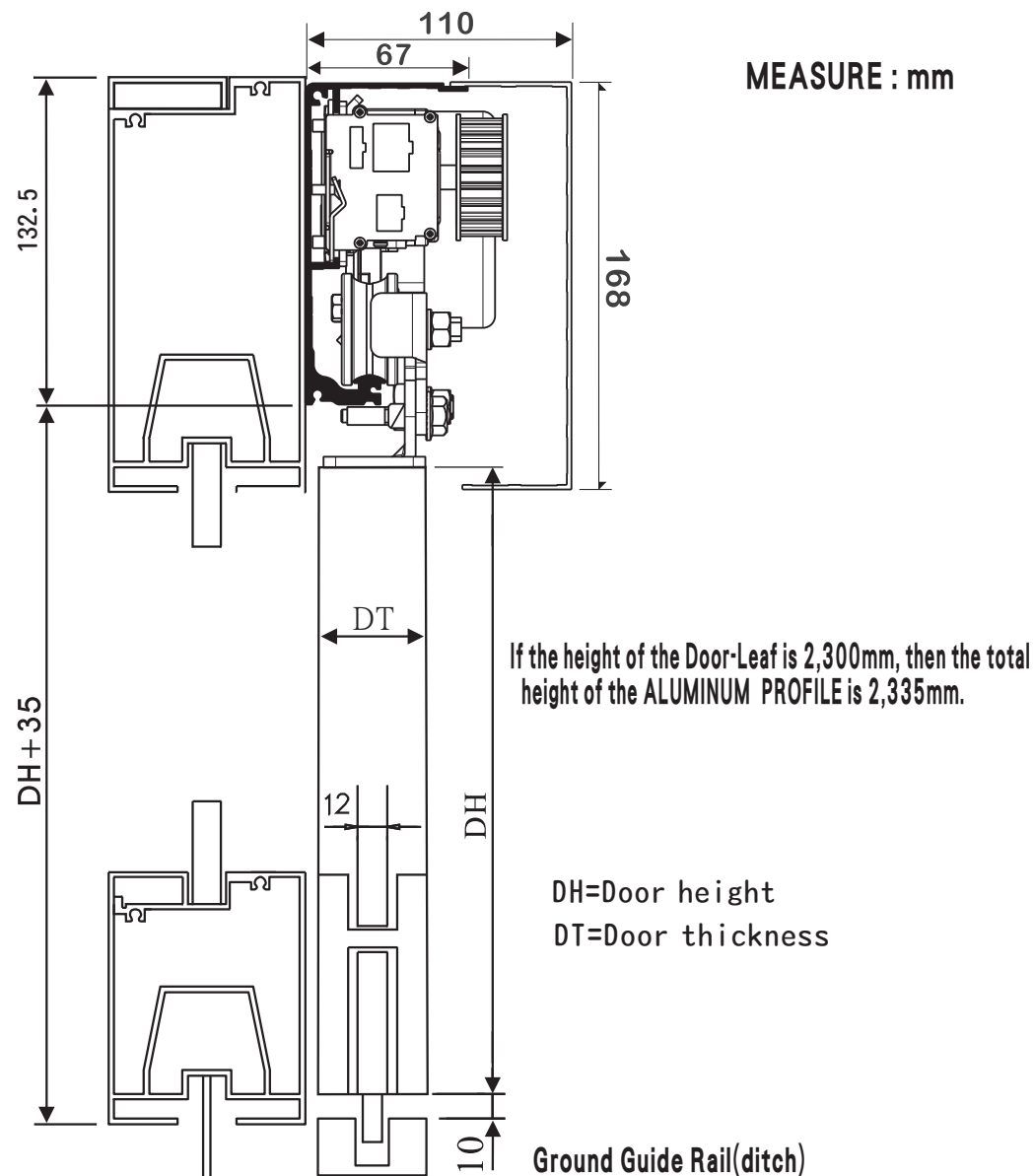


## H Opening hold time

Adjust the **HOLD OPEN TIME**

Higher number, the hold time is longer.

NUMBER	0	1	2	3	4	5	6	7	8	9
SECOND	0	1	2	3	4	5	6	10	15	20



**1** Prepare Should correct the height and the leveling of the ALUMINUM PROFILE



**2** Cut and install the ALUMINUM PROFILE



**3** Install the SENSORS



**4** MOTOR



**5** MICRO-CONTROLLER

**6** Install the BELT ROLLER



**7** Hang and adjust the Door-Leaf



**8** Install and adjust the BELT



**9** Power connect



**10** Test and adjust



### A Full/Half opening

Adjust the RANGE of the HALF OPEN DISTANCE.  
Higher number, wider range.



### B Brake power

The Door-Leaf is slight, the BRAKE POWER is less.  
Please choose 0~2 if the Door-Leaf is under 50kg.  
Please adjust number from number 5 if the Door-Leaf is over 80kg.



### C The opening speed of the door

Adjust the OPEN SPEED  
Higher number, faster speed.  
CAUTION: please adjust the number one by one from low to high.



### D The slowing range of opening door

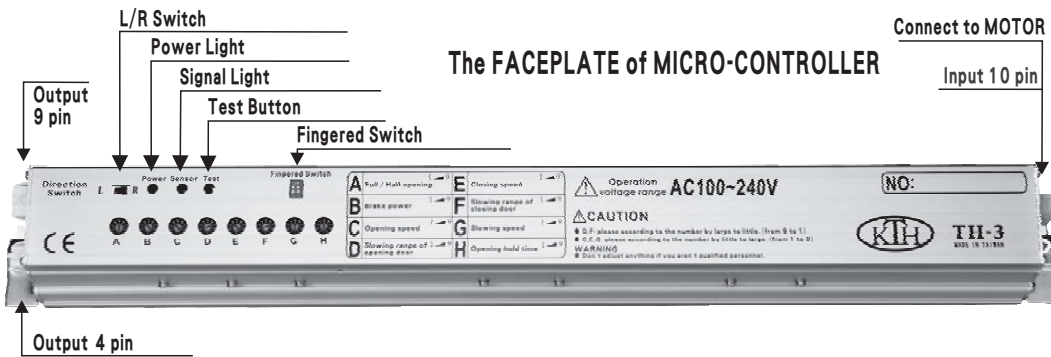
Adjust the SLOW RANGE of OPENING DOOR  
Higher number, more range about the slow range at open door position.  
CAUTION: please adjust the number one by one from high to low.

Before turn on the power, make sure the Door-Leaf can be smoothly moved, and the electric link is correct at first.

## 1.SYSTEM PROGRAM REMEMBER

After turn on the power, the MICRO-CONTROLLER will remember the distance and the range.

## 2.ADJUST



Red LED-Power is connected.

Green LED-Input the open door signal.

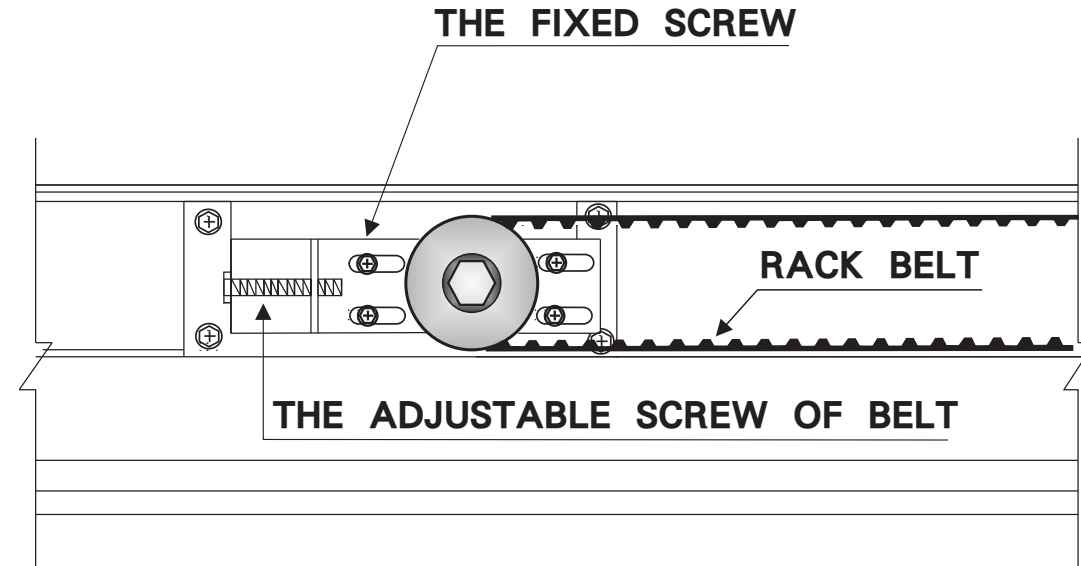
L / R switch-The direction of the door opening: right/left(R/L).

### Fingered Switch- Pin 1 - Directional Function

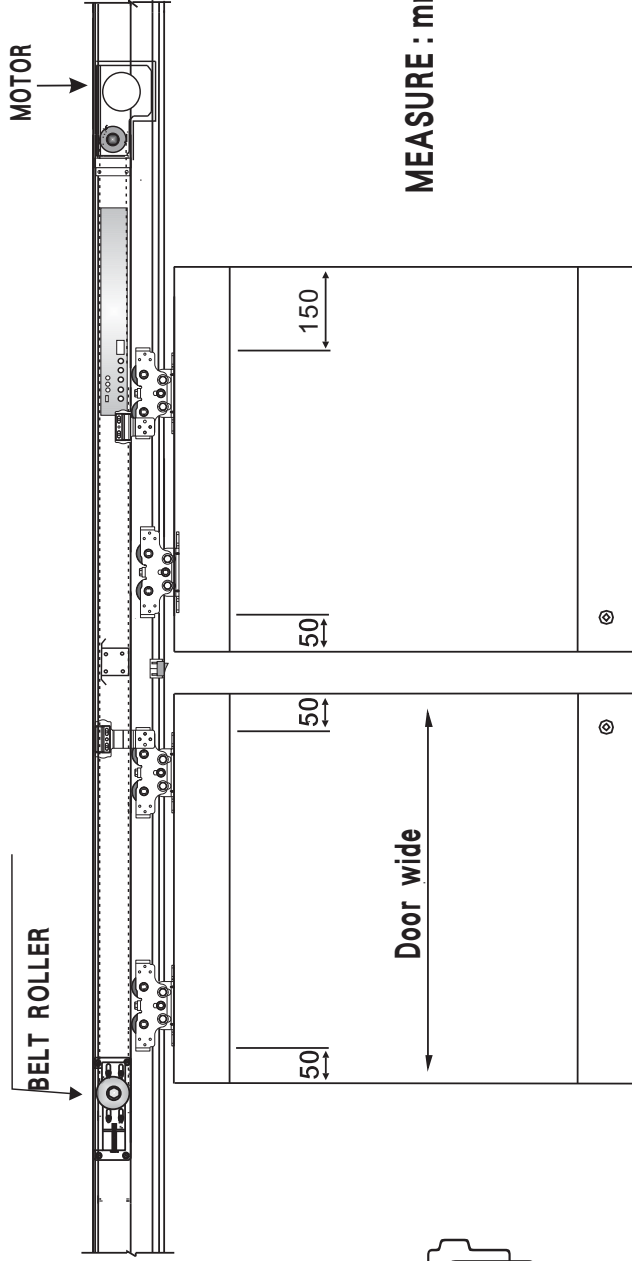
- Operation
- OFF: Normal mode.
  - ON: push once , open the door. Push again,close the door.

Fingered Switch- Pin 2- Reverse Switch: in order to control opening and closing direction of the Door-Leaf after power resumes.

- Operation
- OFF: Normal mode, after power resumes, the Door-Leaf opens the door first.
  - ON: suitable for Security System, after power resumes, the Door-Leaf closes the door first.



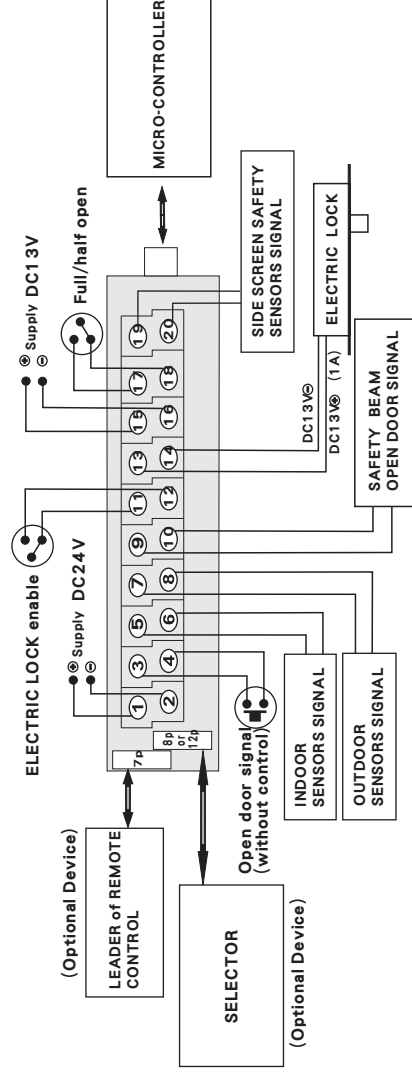
TENSION of BELT can be adjusted by the ADJUSTABLE SCREW of BELT, after that, must tighten the FIXED SCREW of BELT.



Inside the room, the distance between the “right side hanging-wheel” and “the edge of door” must be more than 150mm.



Wiring diagram (Optional Device)



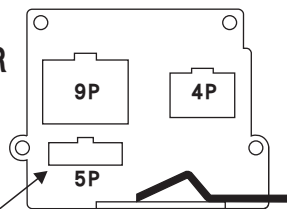
- (A) The FUNCTION of the ELECTRIC LOCK will work when ⑪ and ⑫ are short circuit, then ⑬ and ⑭ will output DC13V for ELECTRIC LOCK after the door closes. ⑬ and ⑭ will not output DC13V if ⑪ and ⑫ are not short circuit.
- (B) The SIGNAL of the SAFETY BEAM is controlled by ⑤ and ⑩. When door is opening and running, ⑤ and ⑩ keep to accept the signal, then the SAFETY BEAM will be working. ⑥ and ⑨ will not work when the door is closed, then the SAFETY BEAM will lose efficacy when the door is closed.
- (C) Please according with the connection way if it was installed "Selector", "Remote", "Sensors of inside and outside" at the same time; The entrance guard is under controlled by "Selector", furthermore, please extra contact ③ and ④ for the open door signal of "without control". eg. Extra install a BUTTON or CARD READER....
- (D) The signal of Side Screen Safety Sensor is controlled by ⑮ and ⑯. Side Screen Safety Sensors are placed at the rear end of the door to prevent collisions during the opening movement of the moving leaves. When the signal activates, the moving leaves will become slowly, till the door opens fully, then close normally.

Output connect

9P terminal

Black	Red	Orange
Yellow	Green	Blue
Purple	Gray	

MICRO-CONTROLLER



Connect to Terminal Block

- Red DC13V<sup>+</sup> — Output DC13V 1A for ELECTRIC LOCK use
- Black GND<sup>-</sup> —
- Blue — Output NC signal
- Green —
- Orange — ELECTRIC LOCK enable
- Yellow —
- Gray — Full/Half opening signal
- Purple —

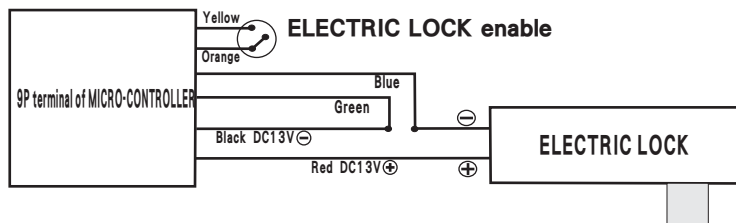
4P terminal

Black	Red
Orange	Orange

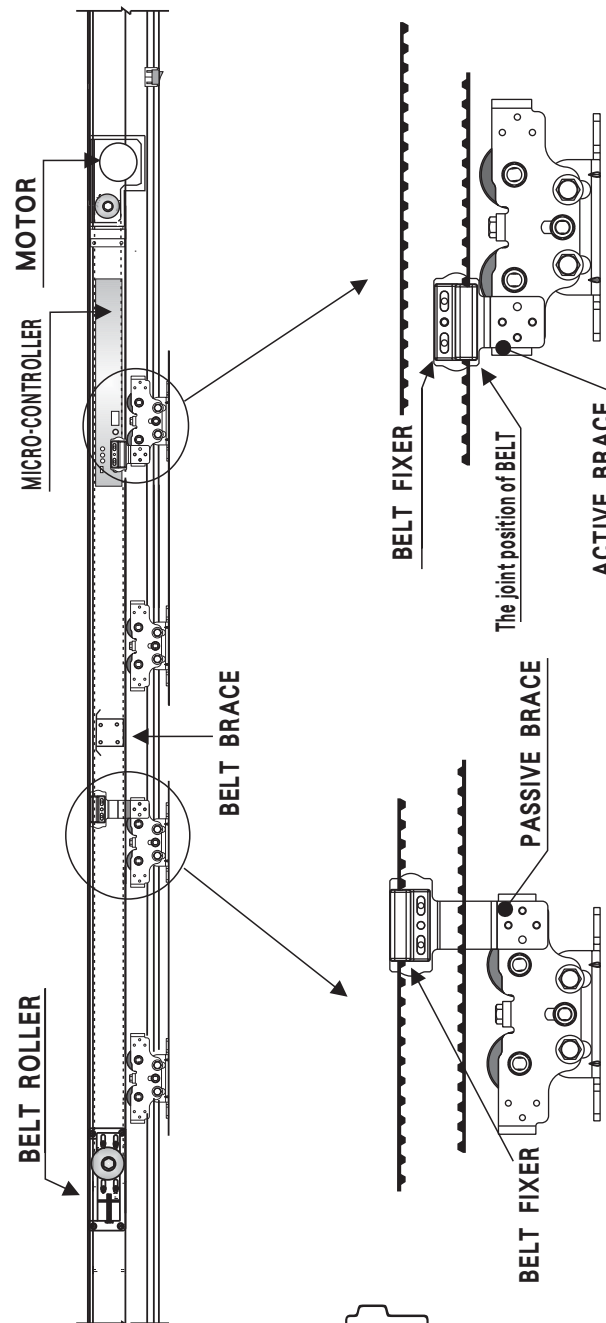
- Red DC24V<sup>+</sup> — Power of SENSOR
- Black GND<sup>-</sup> —
- Orange — The signal of SENSOR
- Orange —

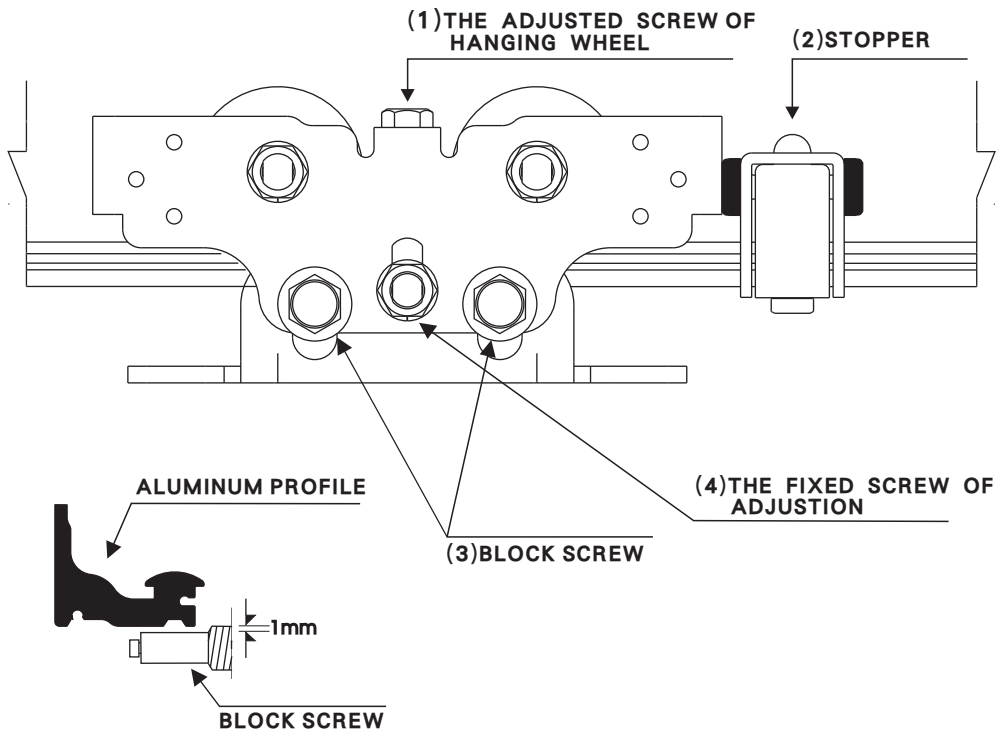
PS : 5P terminal is required using with Combined Terminal Block.

The illustration of the ELECTRIC LOCK contact

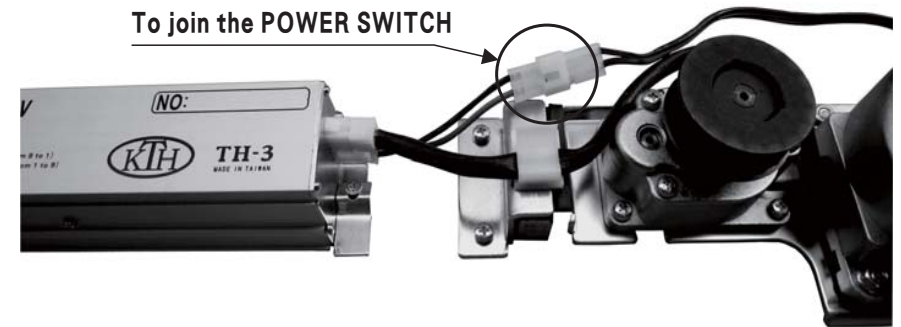


PS : After the orange and the yellow lines are short circuit, the blue and the green lines would output NC signal.

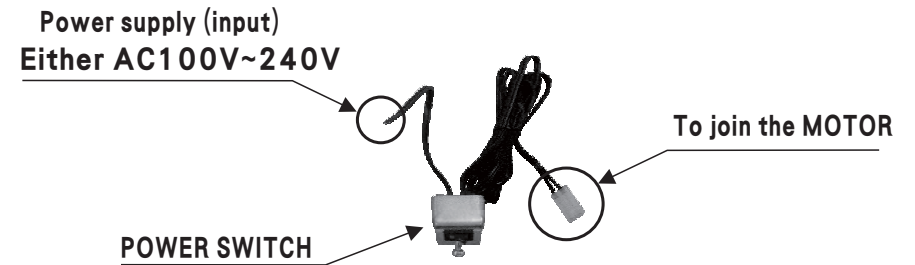




- A** When Door-Leaf height and interval need to adjust, loose (3) & (4) at first, then adjust (1).
- B** Need to fasten (3) & (4) after adjust **A** .
- C** Install above-mentioned (2) after make sure the DOOR OPEN POSITION.



The ILLUSTRATED of CONTROLLER and MOTOR.



### Warning

Please confirm WHETHER the SENSOR VOLTAGE is the same as the power supply. If different between them, need to add the TRANSFORMER, otherwise the SENSOR would be burned.